

INSTALLATION GUIDE

GVS-65 SIDE WALL VENT TERMINATION KIT

For Type BH, Class IIA (65°C) Gas Venting Systems

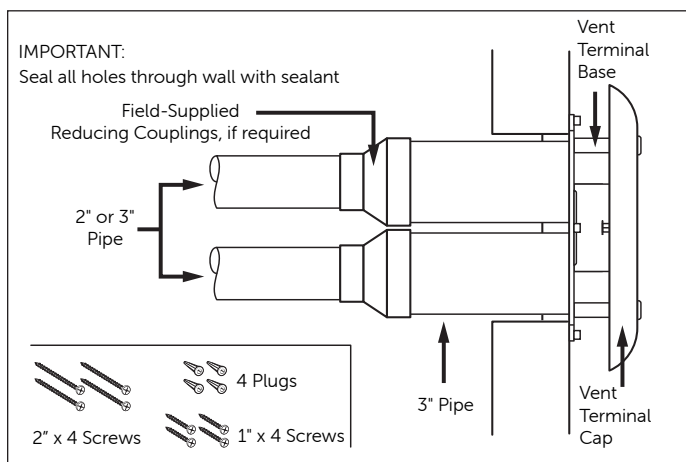
This vent kit is designed and certified as a vent termination for gas appliances with flue gas temperatures of up to 65°C. The use of this termination kit must be approved by the appliance manufacturer. Termination must be made outside the structure. The vent kit is made for mounting on vertical walls only. The vent kit is supplied in 2" and 3" versions; it is the responsibility of the installer to ensure the correct version is used based on the appliance being vented.

This vent kit is to be installed by a qualified service technician. Codes and local utility requirements governing the installation of gas fired equipment, wiring, plumbing, and flue connections must be adhered to. In the absence of local codes, the installation must conform to the Natural Gas and Propane Installation Code CAN/CSA B149.1. Failure to follow these instructions and proper codes may result in: improper installation, faulty appliance operation, fire, carbon monoxide poisoning, explosion, property damage, personal injury or death.

Westlake Pipe & Fittings GVS-65 Side Wall Vent Termination Kits are certified to ULC S636, for use with the our GVS-65 Gas Venting System. The Westlake Pipe & Fittings GVS-65 Side Wall Vent Termination Kit must be installed according to the appliance manufacturers installation instructions, this installation guide and the GVS-65 Installation Guide.

Side Wall Vent Termination Kit consists of the following components:

1 - Vent Terminal Base	1 - Vent Terminal Cap
4 - #8 x 1" SS Screws	4 - #8 x 2" SS Screws
4 - Plastic Screw Anchors	1 - Installation Guide

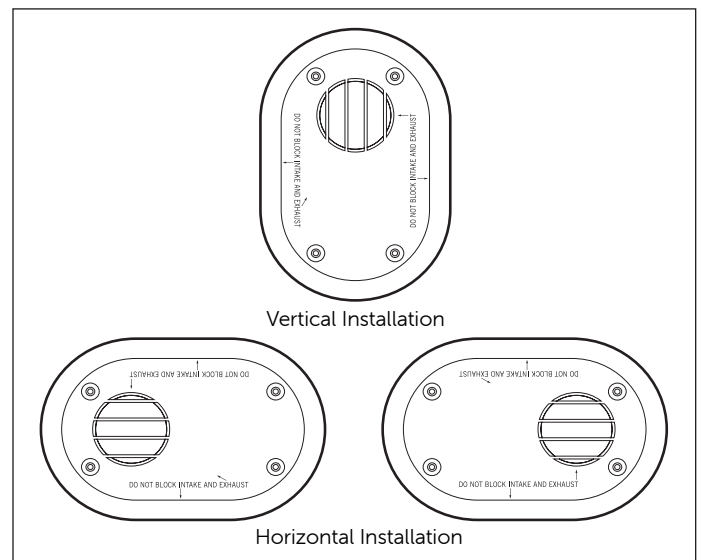


Vent Pipe Material

Installer supplied vent pipe, fittings, primer and solvent cement must be part of the Westlake Pipe & Fittings GVS-65 Gas Venting System. Vent pipe and fittings must be sized according to appliance manufacturer recommendations.

Installation:

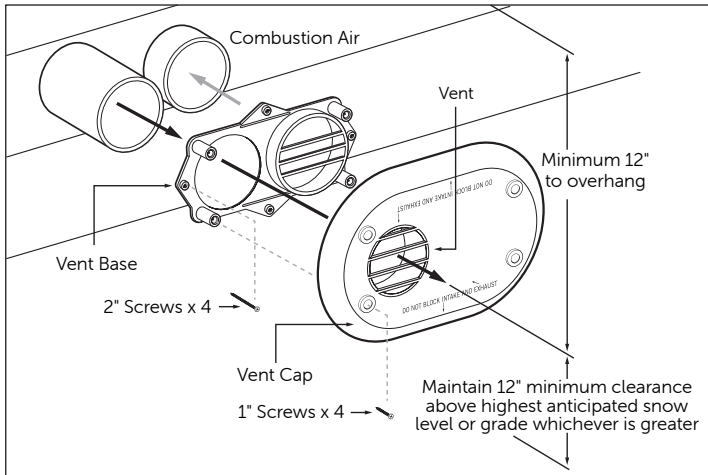
- Determine the best location for the vent termination. In addition to all applicable codes, consider the following:
 - Minimize the length of pipe and fittings in the piping. Consult the appliance installation manual to determine maximum length of pipe and fittings allowed.
 - Termination kit should be positioned where vent vapors will not damage plants, shrubs, building materials, or air-conditioning equipment, or where the vapors might be objectionable.
 - Termination kit should be located where it will not be affected by wind gusts, snow build up, leaves or other debris that will inhibit the function of the vent exhaust or intake.
- Vent may be oriented as shown below as long as it is mounted on a vertical wall.
- If multiple vent kits are being installed, there must be at least 16" horizontal space between the vent caps. To prevent possibility of condensate freeze up, do not locate the vent kits above one another.



INSTALLATION GUIDE

GVS-65 SIDE WALL VENT TERMINATION KIT

For Type BH, Class IIA (65°C) Gas Venting Systems



4. Use the vent base as a template to locate the vent and intake holes and four mounting holes. Cut two 3-7/8" diameter holes for the exhaust and intake pipes. Drill four 3/16" diameter holes for the mounting screws. Attach vent base to wall with 4 - #8 x 2" SS Screws.
5. Assemble the vent cap to the vent base with 4 - #8 x 2" SS Screws.
6. Install the exhaust and intake piping through the wall into the vent termination kit. Use RTV silicon sealant to seal the pipe to the vent cap, to allow future disassembly and cleaning. DO NOT use PVC solvent cement to seal this connection.
7. Seal gap between pipes and wall with expanding foam or other suitable material.
8. Extend intake and exhaust pipes to appliance, make sure to attach intake and exhaust to the correct sides of the vent cap. Use only Westlake Pipe & Fittings GVS-65 pipe, fittings, primer, and solvent cement.
9. Operate appliance and look for leaks for a minimum of 15 minutes to make sure that it works properly and that all piping joints are sealed to prevent the escape of combustion products into the home.

Certifications:

Rated for flue gas temperatures up to and including 65°C. This vent kit is certified to ULC S636 as part of the Westlake Pipe & Fittings GVS-65 Gas Venting System, for use as a Type BH, Class IIA (65°C) gas venting system. This vent kit is approved for use with certain appliances; please check with your appliance manufacturer for more information.

 **WARNING**

Furnaces: This vent kit is to be used with gas appliances with flue gas temperatures up to 65°C. This vent termination kit must be approved for use with any appliance by the appliance manufacturer. DO NOT use for Roof Top Venting. Use this kit for side wall venting only.

 **WARNING**

To avoid bodily injury, fire or explosion, solvent cements MUST be kept away from all ignition sources (i.e. sparks, open flames and excessive heat) as they are combustible liquids. Avoid breathing cement vapors or contact with skin and/or eyes.

 **WARNING**

High Voltage – Disconnect ALL electrical power and shut off gas supply before servicing or installing. Multiple power sources may be present. Failure to do so may cause property damage, personal injury or death.

 **WARNING**

If the information in these instructions is not followed exactly, a fire or explosion may result causing property damage, personal injury or loss of life.

Do not store or use gasoline or other flammable vapors and liquids in the vicinity of this or any other appliance.

What to do if you smell gas:

- Do not try to light any appliance.
- Do not touch any electrical switch; do not use a phone in your building.
- Immediately call your gas supplier from a neighbor's phone. Follow the gas supplier's instructions.
- If you cannot reach your gas supplier, call the fire department.
- Installation and service must be performed by a qualified installer, service agency or the gas supplier.

 **WARNING**

To avoid property damage, personal injury or death due to explosion or fire, install a gas detecting warning device. Since the odorant in propane gas can be reduced by iron oxide (rust), a gas detecting warning device is the only reliable method to detect propane gas leaks.

 **WARNING**

Property damage, furnace malfunction, personal injury or death may result from improper installation or maintenance performed by untrained personnel. Installation must conform with local codes, with codes of the country having jurisdiction. Call your installing dealer or other qualified service companies to perform the installation or maintenance inspection.

 **WARNING**

To avoid the risk of property damage, personal injury or fire, shut off gas supply first, then disconnect the electrical supply before proceeding with the kit installation.